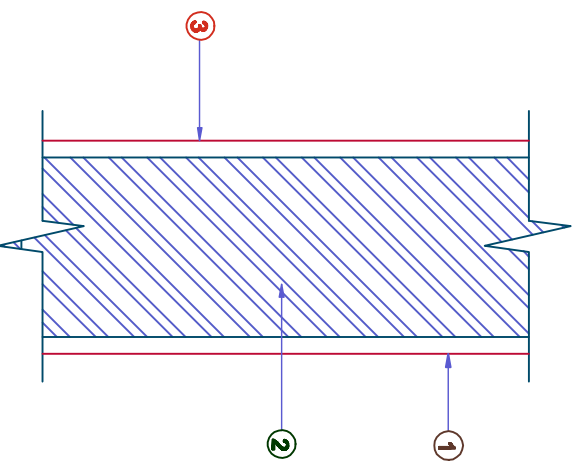


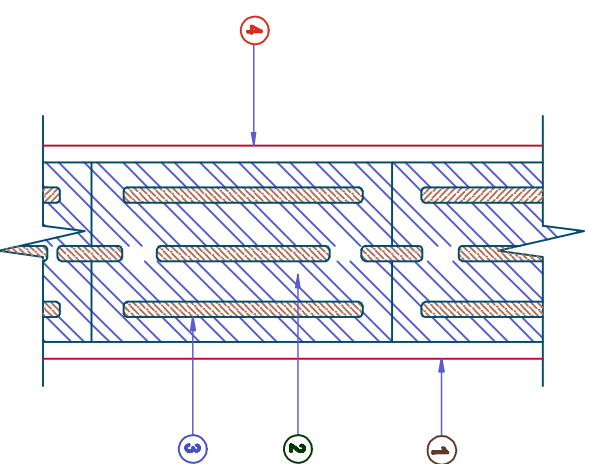
# TYPICAL WALL INSULATION DETAILS

## A - AUTOCLAVED AERATED CONCRETE (AAC)BLOCKS (LIGHT WEIGHT BLOCKS)



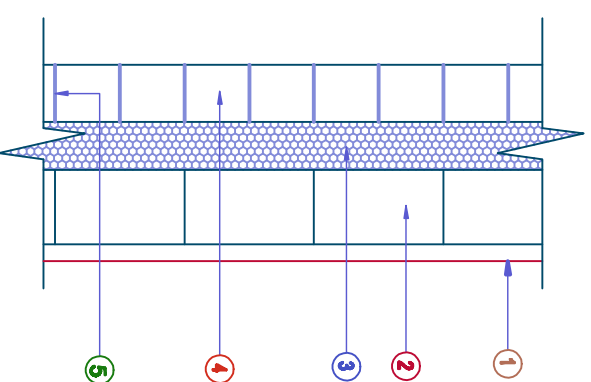
- 1 - INTERNAL PLASTER
- 2 - AERATED LIGHT WEIGHT BLOCKS (200mm THICK)
- 3 - EXTERNAL PLASTER

## B - CONCRETE BLOCKS WITH INSULATION INSERTIONS



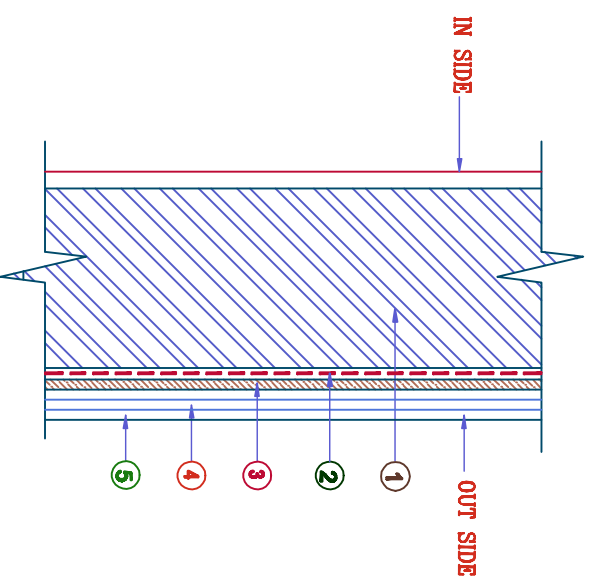
- 1 - INTERNAL PLASTER
- 2 - CONCRETE BLOCKS
- 3 - INSERTIONS INSULATED SHEET
- 4 - EXTERNAL PLASTER

## C - CAVITY WALL (DOUBLE WALL) FILLED WITH INSULATION



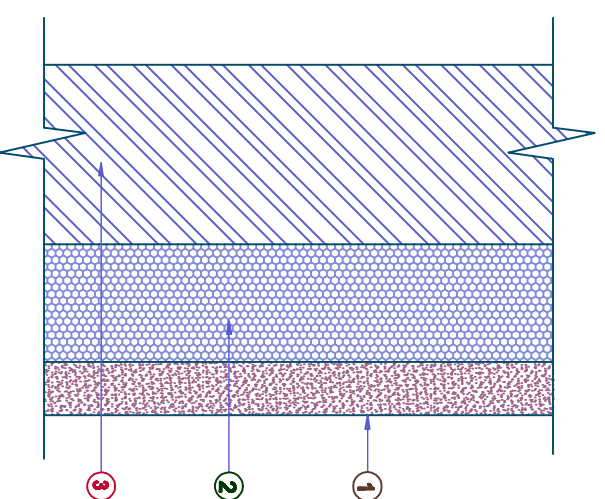
- 1 - INTERNAL PLASTER
- 2 - CONCRETE BLOCK OR STRUCTURAL WALL
- 3 - EXPANDED POLYSTYRENE FIXED TO WALL EITHER BY SUITABLE ADHESIVE OR MECHANICAL FASTENER.
- 4 - BRICK WALL/STONE CLADDING
- 5 - MORTAR JOINT

## D - EXTERNAL THERMAL INSULATION COMPOSITE SYSTEM



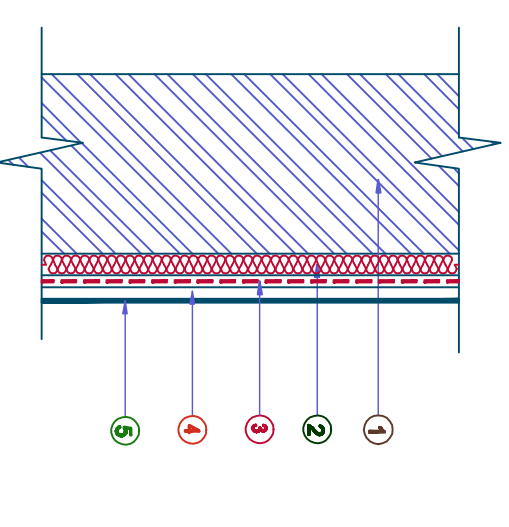
- 1 - BEAM/COLUMN/SHEAR WALL/STRUCTURAL WALL
- 2 - CEMENTITIOUS ADHESIVES
- 3 - EXPANDED POLYSTYRENE
- 4 - GLASS FIBRE REINFORCEMENTS
- 5 - POLYMER MODIFIED RENDERS

## E - INTERNAL WALL INSULATION



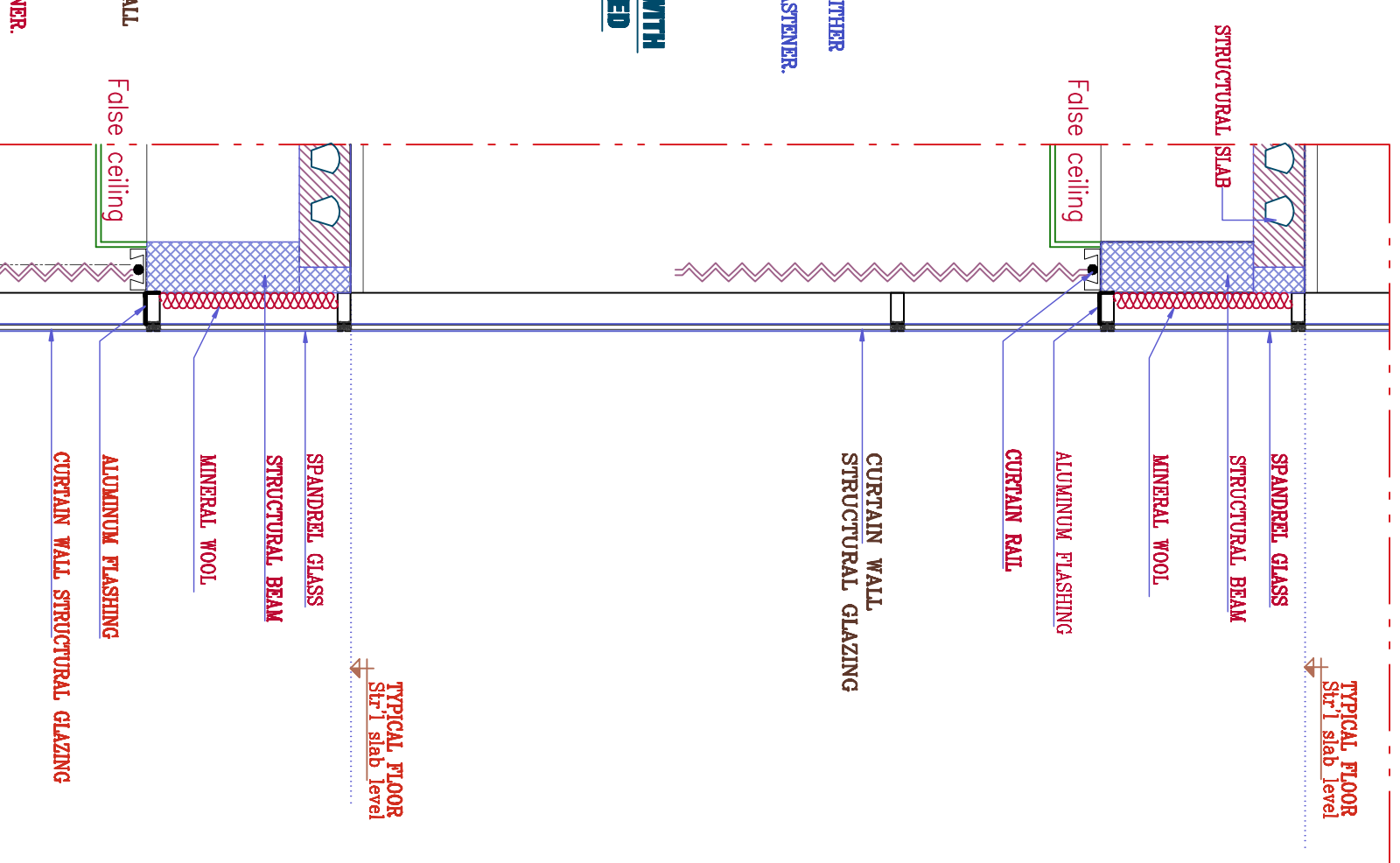
- 1 - MESH & NORMAL PLASTER OR GYPSUM PLASTERBOARD
- 2 - EXPANDED POLYSTYRENE
- 3 - STRUCTURAL WALL

## F - EXTERNAL THERMAL INSULATION WITH MINERAL WOOL+ALUMINUM CLADED



- 1 - BEAM/COLUMN/SHEAR WALL/STRUCTURAL WALL
- 2 - MINERAL WOOL
- 3 - SUITABLE ADHESIVE OR MECHANICAL FASTENER.
- 4 - AIR SPACE
- 5 - ALUMINUM CLADED

## THERMAL INSULATION DETAIL CURTAIN WALL/ SPANDREL



**NOTE:- BASED ON THE DESIGN OF THE PARTICULAR BLDG, THICKNESS & DENSITY OF DIFFERENT MATERIALS & WALL TYPE SHOULD BE INDICATED.**